



# Meadowstone

ARCHITECTURAL BUILDING MATERIALS

TECHNICAL DATA SHEET  
TDS/006 23/11/2001

## STANDARD PORTICO DETAILS

### Stage 1—'D1Columns

Construct column as shown in Technical Data Sheet TDS/002.

### Stage 2—'D1Steel Support

Place support steel onto columns, bolt or build in ends to wall.

### Stage 3—'D1Architrave

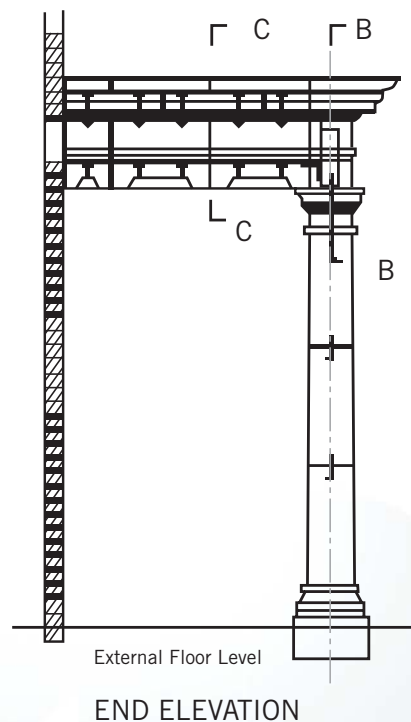
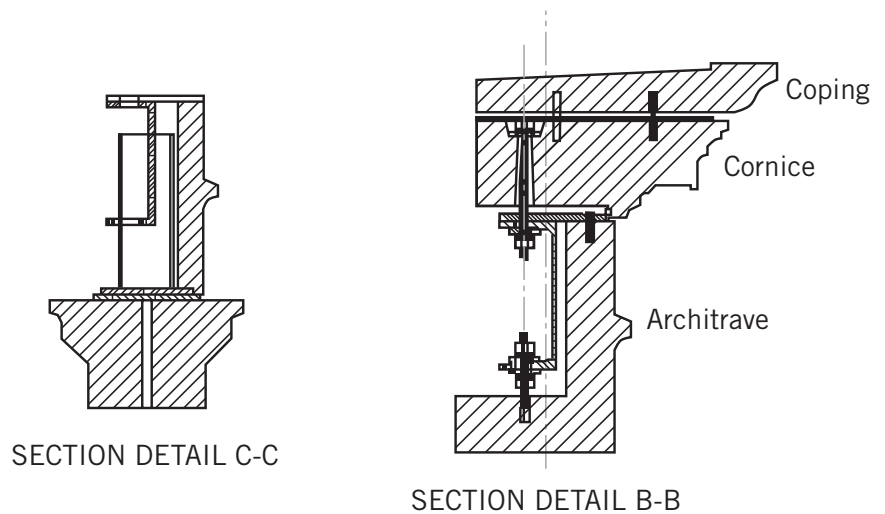
Set up timber to support "D4L'D5 architrave, lay and line stone dry. Screw threaded rods into cast-in sockets and tighten both nuts over washers. Drill 2 holes into vertical leg of architrave and insert capped dowels. Fill and point perp joints.

### Stage 4—'D1Cornice

Bed cornice onto top plate, insert bolts (2 per stone). Do not over tighten bolts.

### Stage 5—'D1Coping

Lay DPC on cornice and bed coping including fixing dowels.



**Meadowstone (Derbyshire) Ltd**  
West Way, Somercotes, Derbyshire DE55 4QJ  
Tel: 01773 540707 Fax: 01773 540727  
info@meadowstone.co.uk www.meadowstone.co.uk